



Expansion Ceiling Microphone Assembly for Iron Bow PC Platform Solutions

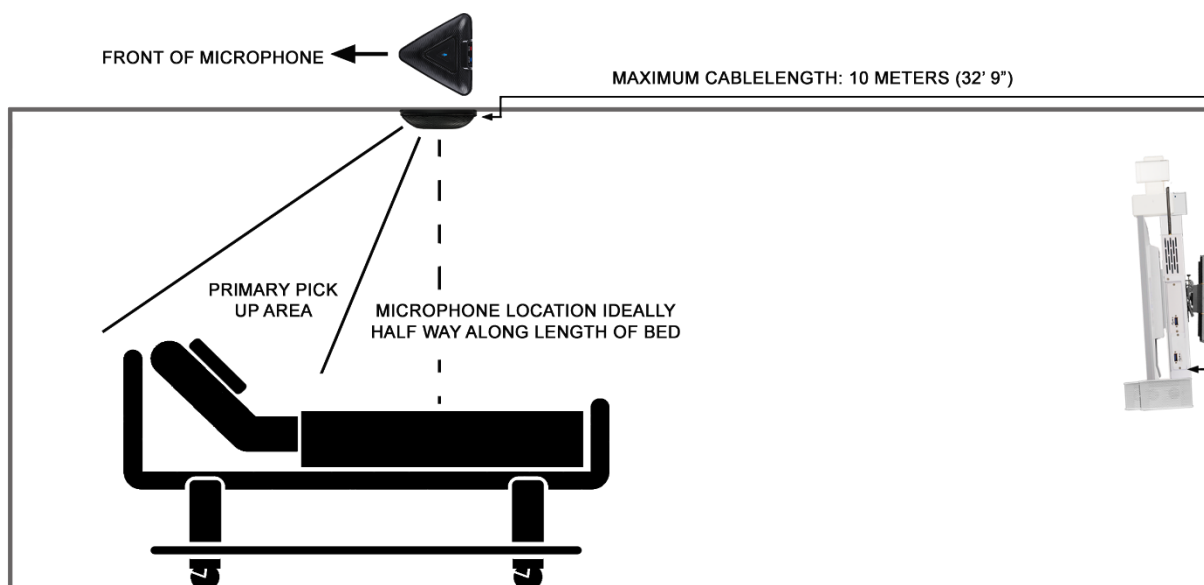
Part Number: ACC-W-MIC-A01

Compatible with all CLINiC-W and MedView-W Products

Supplied Components:

- Expansion Microphone Array
- Ceiling Mounting Plate Assembly
- 10 Meter (32' 9") RJ45/RJ45 Expansion Microphone Cable
- 1 x Plastic-Head Thumb Screw Knurled, 6-32 3/8" Long, black
- 2 x Drywall anchor #8 x 1 5/8" nylon
- 2 x #8-3/4" sheet metal screws
- 2 x Twist Clip for 1-5/16" T-Grid, #8 x 5/8" screw
- 2 x Female Threaded Hex Standoff 8/32 x 1" x 1/4" Hex
- 2 x Screws 8/32" x 5/16 undercut Phillips flat head

The PC CLINiC series incorporate a facility for adding an external microphone system which is generally used to augment the internal microphone array fitted within the system. The expansion microphone is often installed above a patient bed to enhance the audio level and clarity when a patient is speaking in a low voice, as shown in the diagram below.

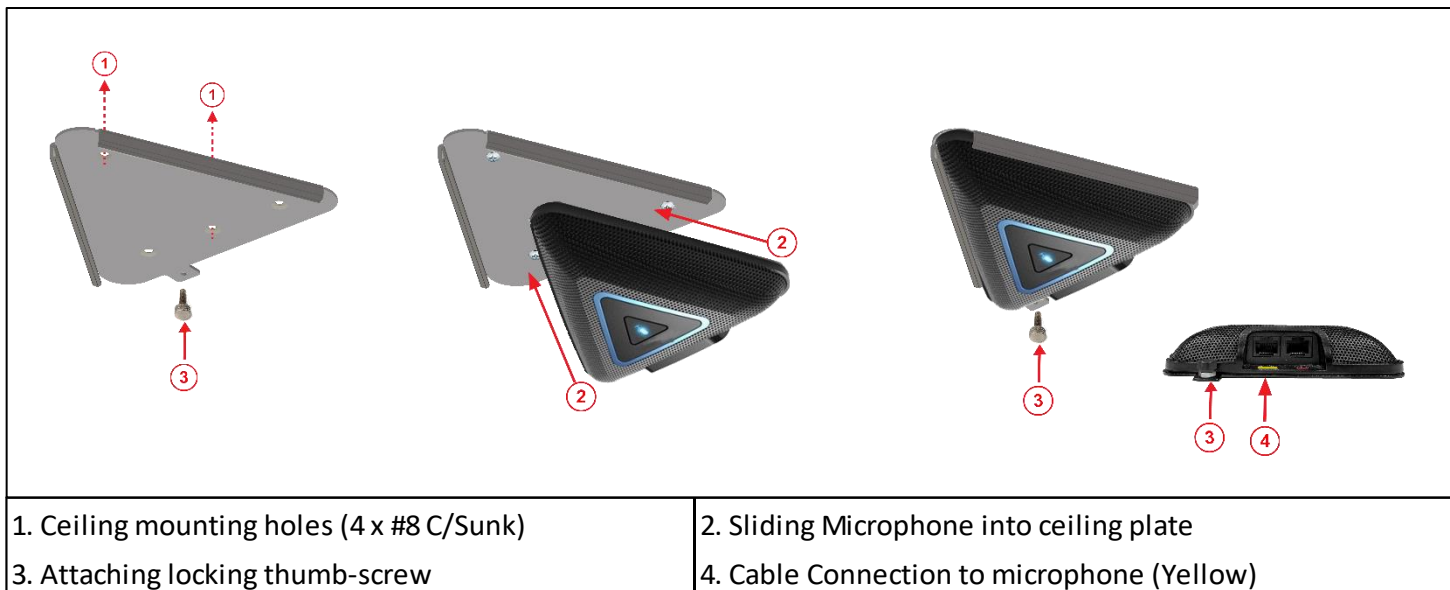


NOT TO SCALE - INFORMATION ONLY

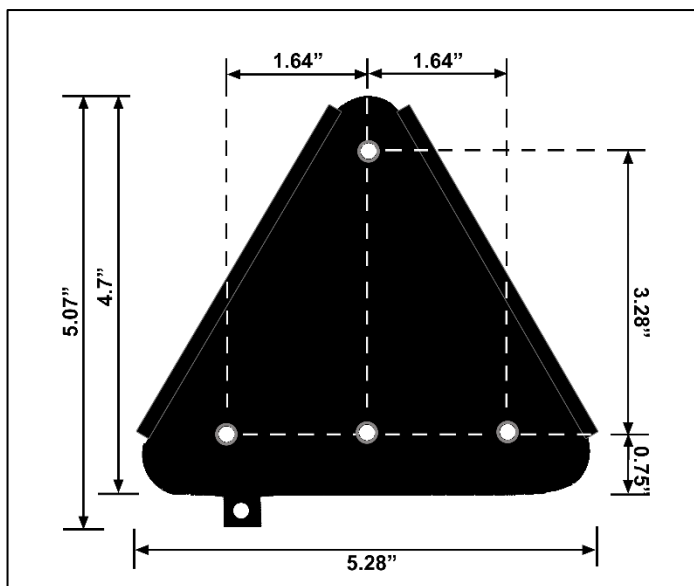
The installation and assembly process are described below:

1. Attach the mounting plate to the ceiling being careful to install the front of the plate in the correct direction for optimal microphone pick up. Dry wall anchors and twist clips, with stand-offs, are supplied for either direct ceiling mount or from 15/16" T-Grid.
2. Slide the microphone into the mounting plate
3. Insert the locking thumbscrew
4. Attach the RJ45 connector on the end of the supplied 10-meter cable into the yellow "Mic Output" connector on rear of the microphone

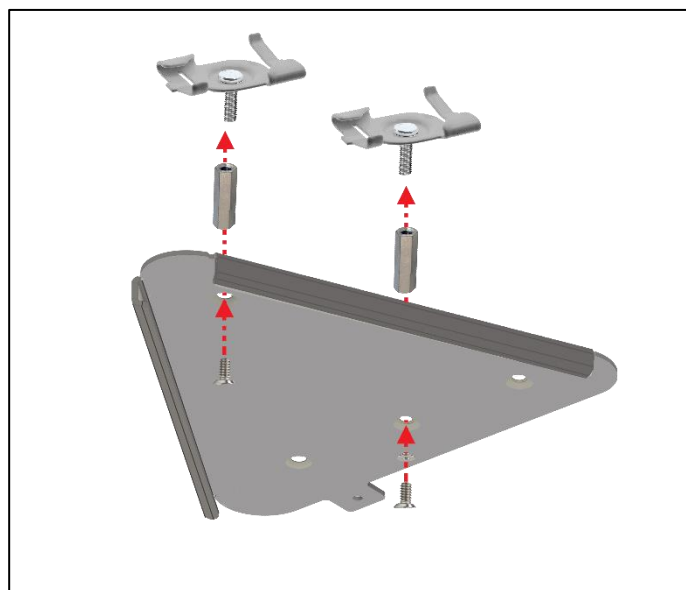
Installing Ceiling Microphone Array



Ceiling Mounting Plate Dimensions



T-Grid Mounting



T-Grid Installation

Two “Twist Grips” are supplied with the assembly hardware to allow the Expansion Microphone Array to be attached to a 1-15/16” T-Grid.

The two twist grips are supplied with permanently fitted #8 x 5/8” bolts which should be attached to the 1” long threaded hex standoffs. The twist grips should then be attached to the T-Grid in the required location approximately 3-1/4” apart. The microphone mounting plate can then be attached to the standoffs using the two supplied 8/32” undercut screws, ensuring that the front of the mounting plate is fitted in the correct orientation to suit the microphone pick up pattern within the room, as shown above. It may be necessary to adjust the distance between the Twist Grips to suit the exact hole pattern on the microphone mounting plate which can easily be achieved by sliding the twist grip along the T-Grid.

The hole pattern on the microphone plate allows fitting to the T-Grid in multiple orientations to suit the grid pattern within the room with respect to the required microphone location.