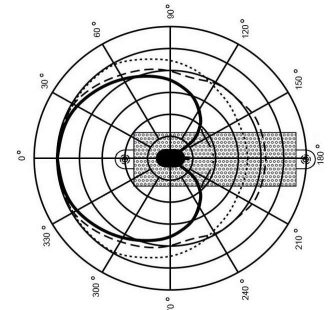
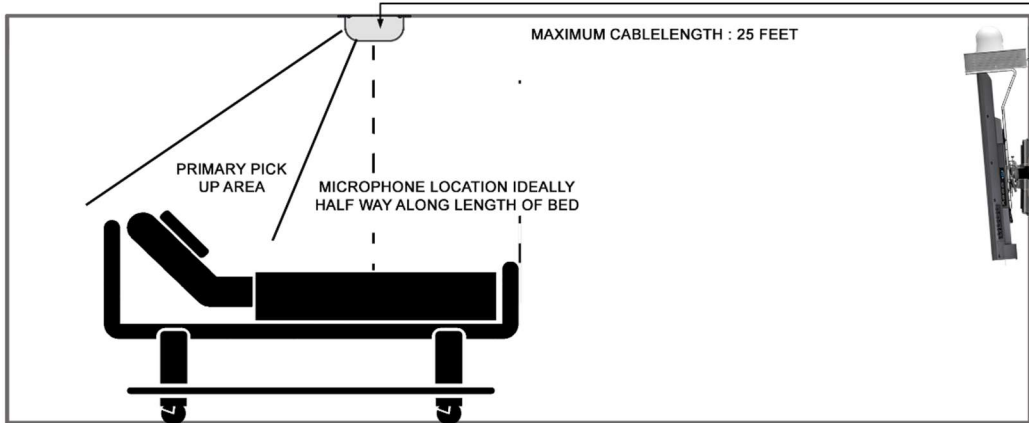




Cisco Room Kit Plus Ceiling Microphone Assembly

Part Number: ACC-AUDIO-C-OVERBED-A01

For use with: Cisco CLINiC Gen 2 (CLINiC-C-12X27-B01/B02)
Cisco MedView (MEDVIEW-C-30XS-A01 AND MEDVIEW-C-30X-A01)

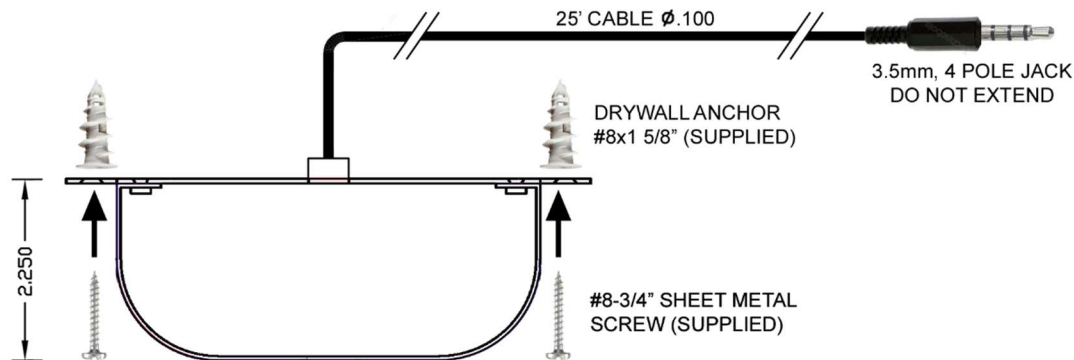
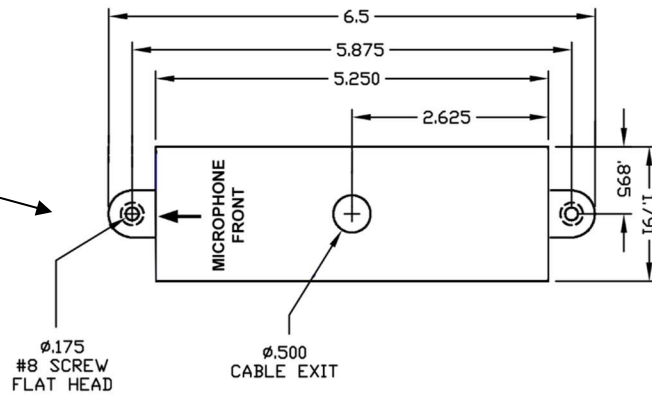


POLAR PATTERN
SCALE IS 5 DECIBELS PER DIVISION

Supplied Components:

- Ceiling Microphone Assembly with 25 feet cable
- 2 x Drywall anchor #8 x 15/8" nylon
- 2 x #8-3/4" sheet metal screws

Mount Microphone assembly with this edge pointing towards sound source



Total Microphone Assembly Weight: 0.5 Pounds

Document Number: DOC-IG-AUDIO-CEILINGMIC-C
Date: 11/17/2020
Version: 2.0