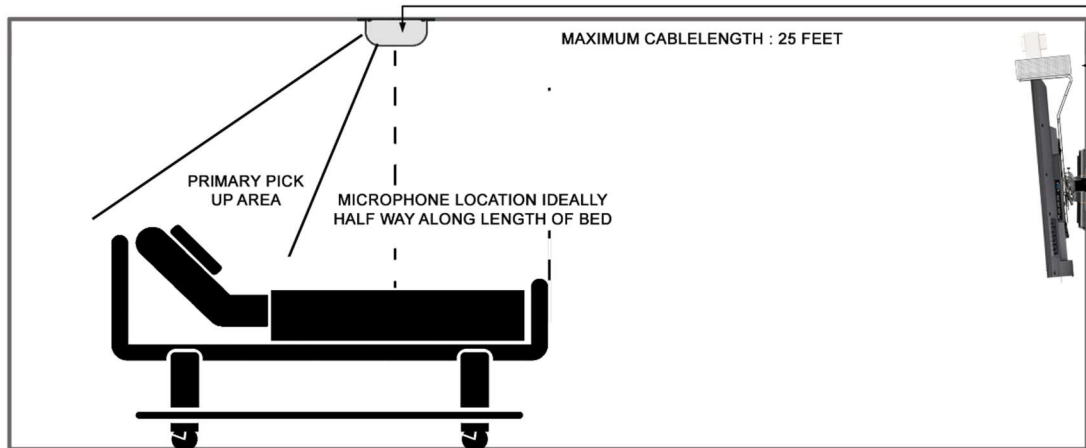


Vidyo CLINiC/MedView Compatible Ceiling Microphone Assembly

Part Number: ACC-AUDIO-V-OVERBED-A01

For use with: Vidyo MedView (MEDVIEW-V-10XIR-Axx)



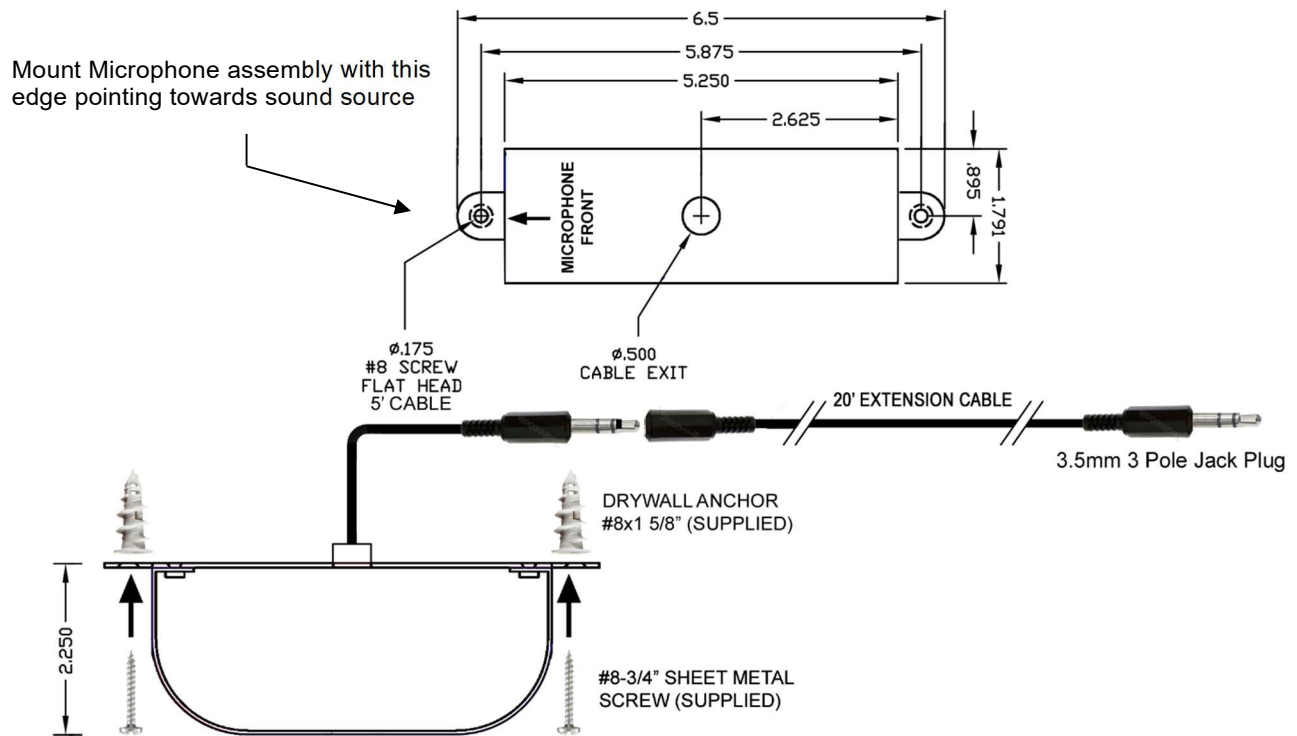
Supplied Components:

Ceiling Microphone Assembly with captive 5 foot cable

20 Foot Microphone Extension Cable

2 x Drywall anchor #8 x 15/8" nylon

2 x #8-3/4" sheet metal screws



Total Microphone Assembly Weight: 0.5 Pounds