



IRON BOW™
HEALTHCARE
SOLUTIONS

**EXPANDING THE
BOUNDARIES OF
HEALTHCARE**

Horus Scope for Vidyo CLINiC™ User Guide

For use with:

CLINiC-V-12X-A01

CLINiC-V-30X-A01

CLINiC-V-30XIR-A01

Document Version 2.3

Copyright © 2018 Iron Bow Technologies

All Rights Reserved.

Specifications subject to change without notice.

For general inquiries, contact:

Iron Bow Healthcare Solutions

2303 Dulles Station Boulevard, Suite 400

Herndon, VA 20171

Toll: 800.338.8866

Tel: 703.279.3000

www.ironbowhealthcare.com

For support, contact:

Iron Bow Client Service Center

Toll: 833.476.6269 (833.IRONBOW)

Email: CSC@ironbow.com

Contents

Introduction	5
Installing the Horus Scope Cradle	6
Preliminary Steps	7
Installing Cradle in Position One/Side-Mounted	8
Installing Cradle in Position Two/Rear-Mounted (from Position One/Side-Mounted)	11
Installing Cradle in Position One/Side-Mounted (from Position Two/Rear-Mounted)	14
Operating the Horus Scope.....	17
Horus Scope Functions and Components	17
Basic Horus Scope Operations	18
Changing Horus Scope Lens Attachments	19
Troubleshooting Tips	19

Figure 1. CLINiC with Horus Scope (1) and cradle assembly (2) 5
Figure 2. Horus Scope cradle attachment parts 6
Figure 3. Horus Scope – CLINiC connectivity diagram 7
Figure 4. Fully assembled CLINiC 12x (rear view) 7
Figure 5. Horus Scope components (front view) 17
Figure 6. Horus scope components (rear, side and bottom views) 17

Introduction

This user guide covers basic Horus Scope operation instructions, as well as installation steps of a Horus Scope cradle assembly. The cradle assembly allows convenient and safe positioning of the Horus Scope on a CLINiC.

The instructions described in this guide apply to the Vidyo CLINiC models (part numbers CLINiC-V-12X-A01, CLINiC-V-30X-A01 and CLINiC-V-30XIR-A01).

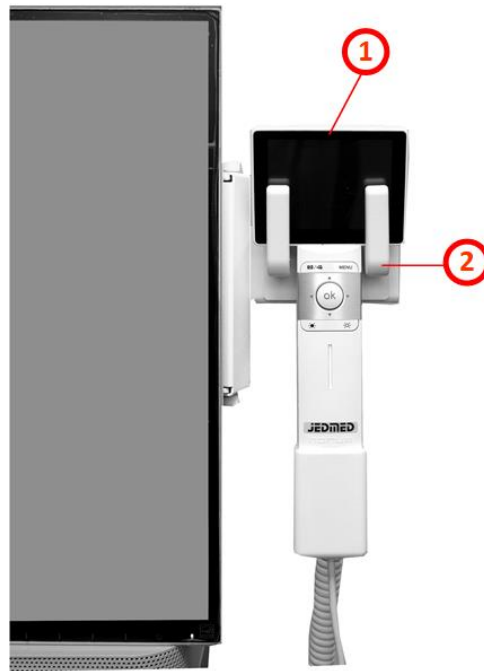
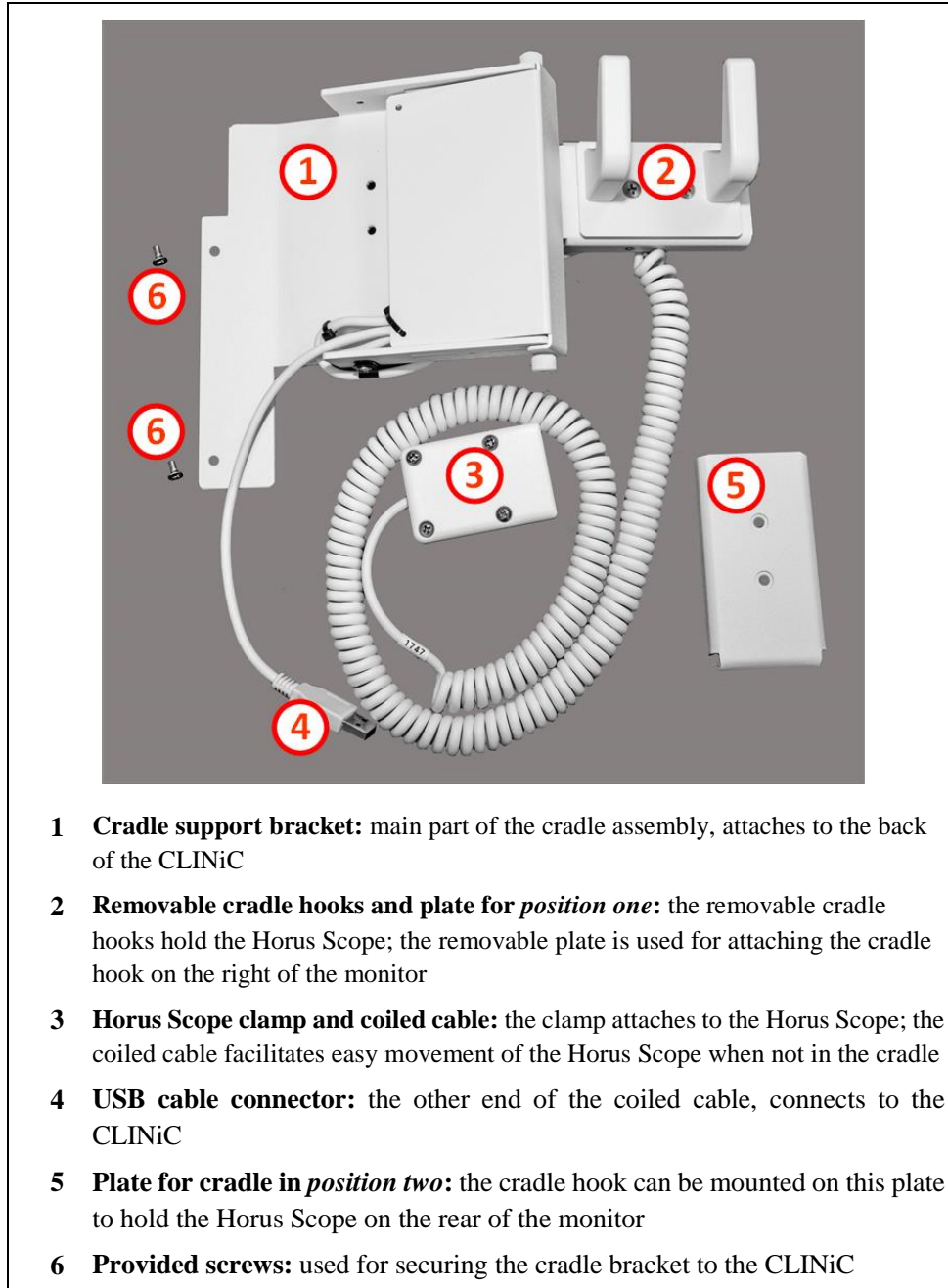


Figure 1. CLINiC with Horus Scope (1) and cradle assembly (2)

You can find additional CLINiC resources and information about support and other related telehealth services at www.ironbowhealthcare.com.

Installing the Horus Scope Cradle

The components of the Horus Scope cradle assembly are shown in the following figure.



- 1 Cradle support bracket:** main part of the cradle assembly, attaches to the back of the CLINiC
- 2 Removable cradle hooks and plate for *position one*:** the removable cradle hooks hold the Horus Scope; the removable plate is used for attaching the cradle hook on the right of the monitor
- 3 Horus Scope clamp and coiled cable:** the clamp attaches to the Horus Scope; the coiled cable facilitates easy movement of the Horus Scope when not in the cradle
- 4 USB cable connector:** the other end of the coiled cable, connects to the CLINiC
- 5 Plate for cradle in *position two*:** the cradle hook can be mounted on this plate to hold the Horus Scope on the rear of the monitor
- 6 Provided screws:** used for securing the cradle bracket to the CLINiC

Figure 2. Horus Scope cradle attachment parts

The logical connection diagram between the Horus Scope and the CLINiC is shown below.

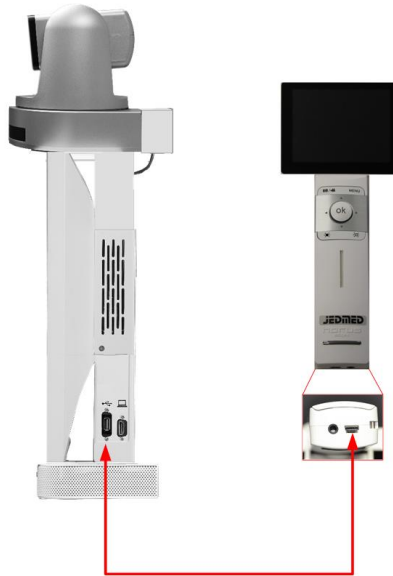


Figure 3. Horus Scope – CLINiC connectivity diagram

Preliminary Steps

Prior to installing the Horus Scope cradle onto the CLINiC, the CLINiC should be fully assembled, as shown below (the camera should be already mounted on the CLINiC).



Figure 4. Fully assembled CLINiC 12x (rear view)

In addition, prior to attaching the clamp and coiled cable to the Horus Scope, make sure the Horus Scope has a working battery. To insert or replace a battery, see the instructions below.

Note: If the Horus Scope and the cradle were purchased together, the battery will be preinstalled in the Horus Scope. If that is the case, skip to the cradle assembly instructions.

To install the Horus Scope battery:

1. Open the battery cover by inserting your finger or a pointed tool in the gap at the bottom of the battery cover. Remove the battery cover by lifting it up.
2. Insert the battery with the positive end facing up.



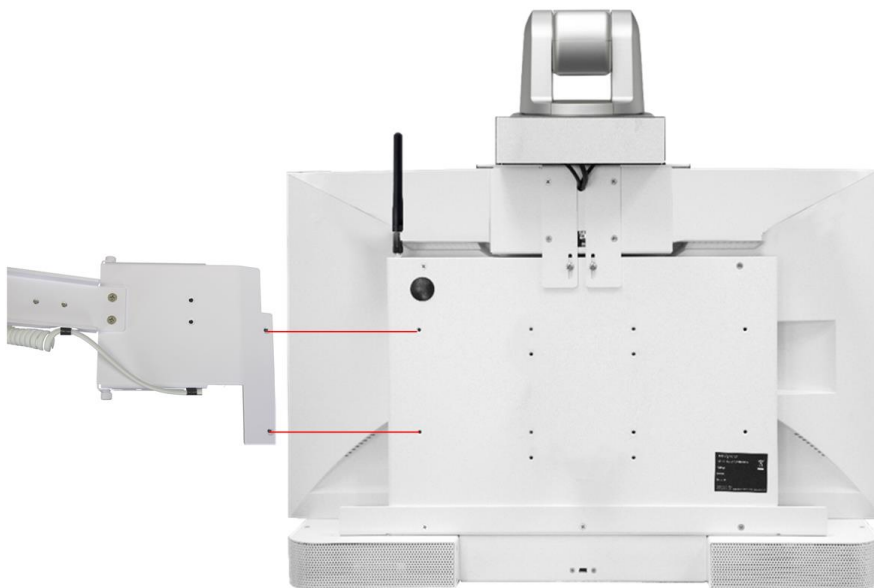
Installing Cradle in Position One/Side-Mounted

The cradle can be mounted in two positions relative to the CLINiC. *Position one* provides easy access on the right side of the CLINiC, which may be ideal for frequent use. *Position two* provides access on the back of the CLINiC, which increases mobility for use in small spaces.

Note: A #2 Phillips head screwdriver will be required for the installation.

To install the cradle in position one:

1. Align vertically the bracket of the cradle assembly with the holes on the back of the CLINiC, as shown below. Use the provided two screws to firmly secure the cradle bracket to the CLINiC.



If the Horus Scope and the cradle assembly were purchased together, the Horus Scope will come pre-installed in the clamp. If this is the case, skip to step 6.

2. Remove the screws from the Horus Scope clamp (1) to expose the Mini USB connector (2).



3. Place the Horus Scope in the bottom half of the clamp (the half that has metal screw holes), as shown. Insert the Mini USB connector into the corresponding port at the bottom of the Horus Scope.



4. Secure the top side of the Horus Scope clamp and fasten the four screws.



5. Connect the USB connector end of the coiled cable to the USB port on the CLINiC, as shown.



6. Place the Horus Scope in the cradle, as shown.



Installing Cradle in Position Two/Rear-Mounted (from Position One/Side-Mounted)

The instructions below describe how to change the cradle from position one (side-mounted) to position two (rear-mounted).

Note: A #2 Phillips head screwdriver will be required for the installation.

To install the cradle in position two (from position one):

1. Remove the screws attaching the cradle hooks to the position one plate.



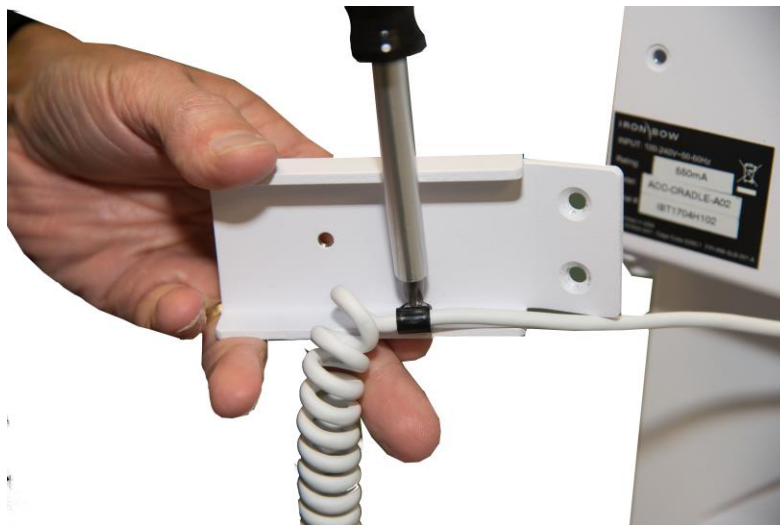
You will reuse the cradle hooks and screws later in this procedure when you will attach the hooks to the position two plate.

2. Remove the two screws attaching the position one plate to the cradle support bracket.



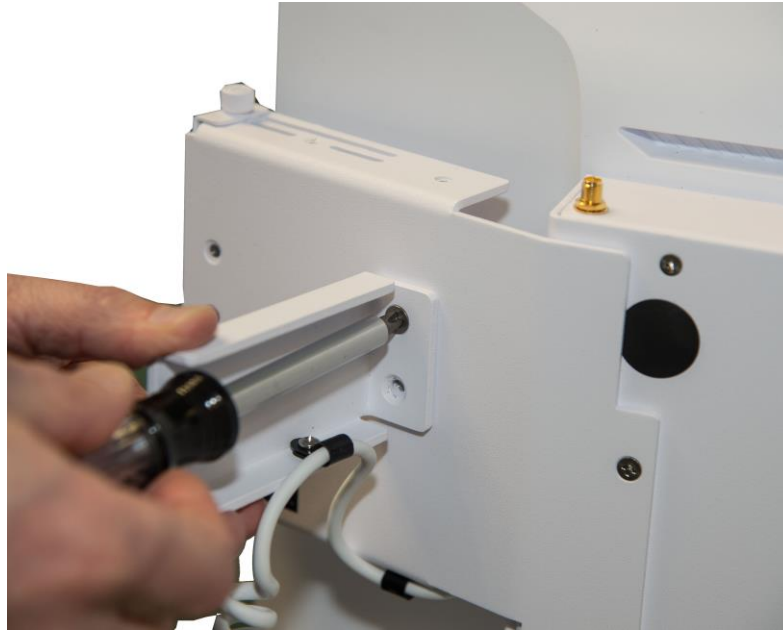
You will use the same screws to attach the position two plate to the cradle support bracket later in this procedure.

3. Remove the strain relief clamp holding the coiled cable to the position one plate.

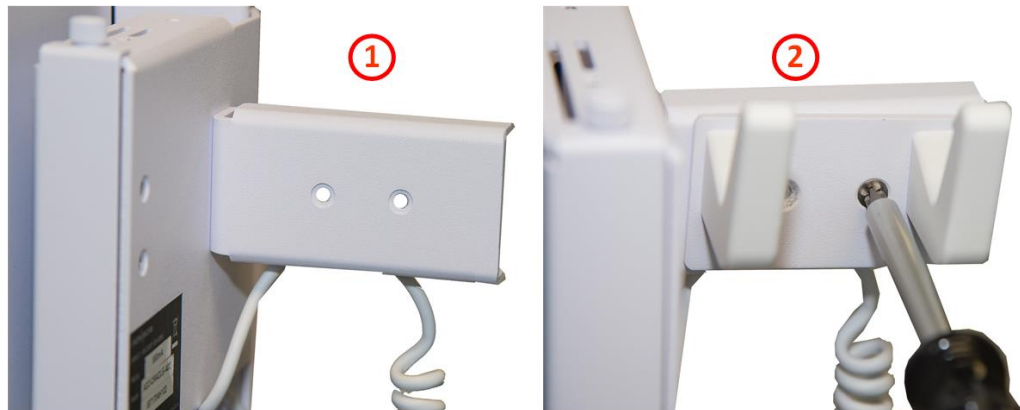


4. Fasten the strain relief clamp to hold the coiled cable to the position two plate.

5. Place the position two plate on the back of the cradle support bracket and secure with the same two screws that were used to secure the position one plate.



6. Fasten the cradle hooks onto the position two plate.



7. Place the Horus Scope into the cradle on the back of the CLINiC.

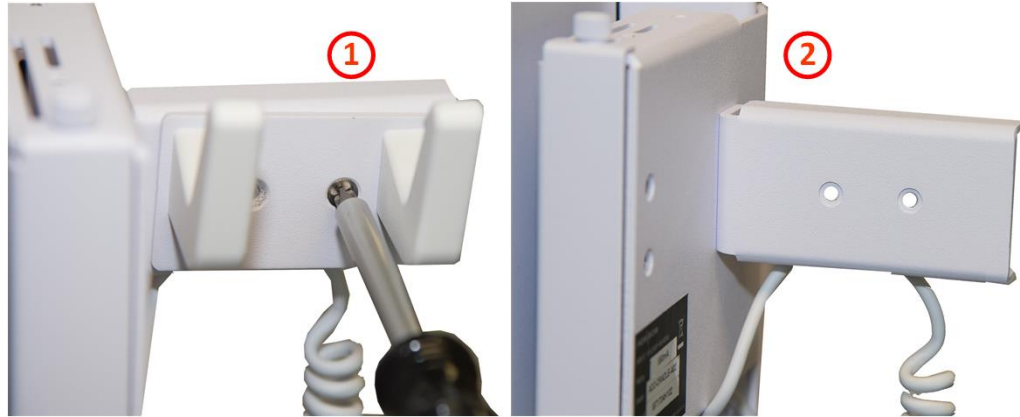
Installing Cradle in Position One/Side-Mounted (from Position Two/Rear-Mounted)

The instructions below describe how to change the cradle mounting position from rear-mounted to side-mounted.

Note: A #2 Phillips head screwdriver will be required for the installation.

To install the cradle in position one (from position two):

1. Remove the screws attaching the cradle hooks to the position two plate.

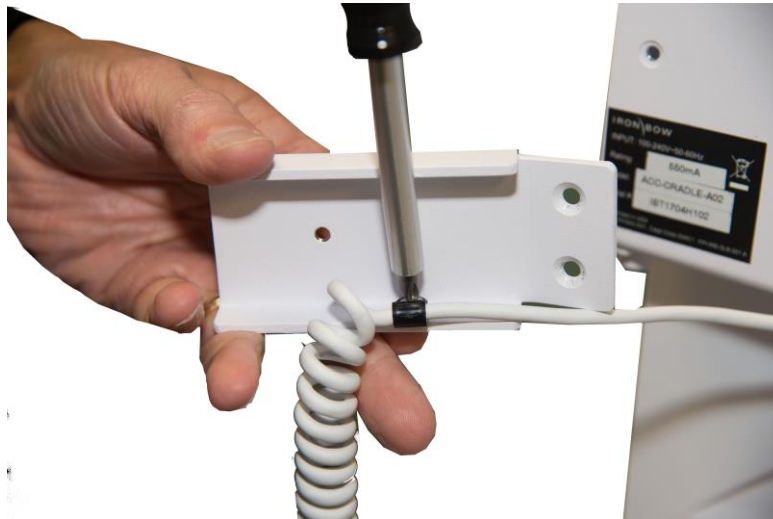


2. Remove the two screws attaching the position two plate to the cradle support bracket.



3. Remove the strain relief clamp holding the coiled cable to the position two plate.

4. Fasten the strain relief clamp holding the coiled cable to the position one plate.



5. Place the position one plate on the back of the cradle support bracket and secure with the same two screws that were used to secure the position two plate.



6. Fasten the cradle hooks onto the position one plate.



7. Place the Horus Scope into the cradle on the back of the CLINiC.

Operating the Horus Scope

The Horus Scope is used to capture and transmit images and video to a remote consulting clinician through the CLINiC. This section includes a summary of the Horus Scope functions and components, basic operation and troubleshooting tips.

Horus Scope Functions and Components

The Horus Scope functions and device components are listed below.

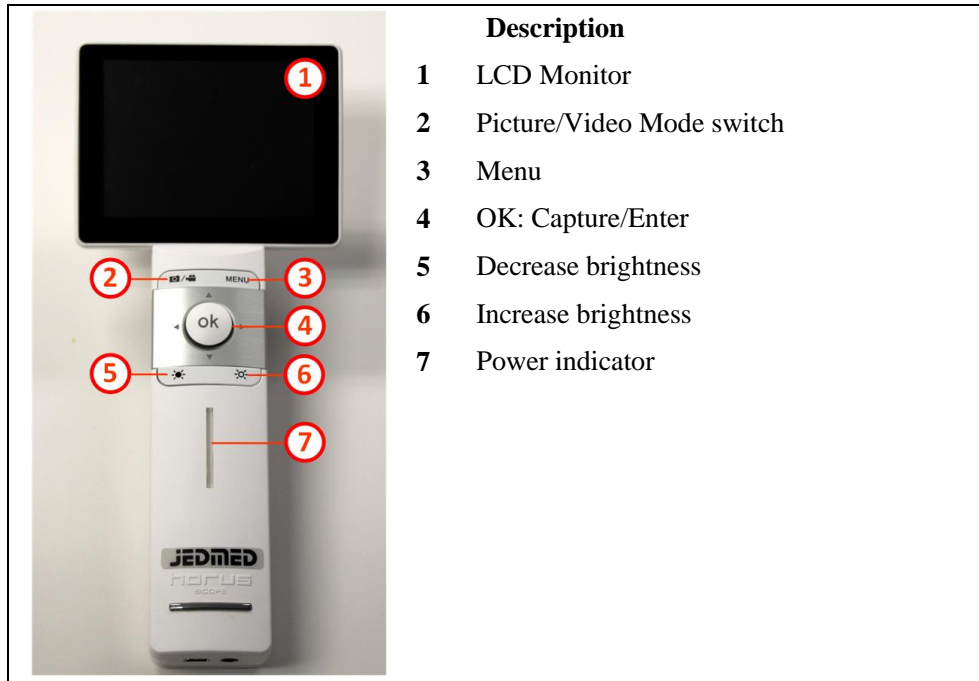


Figure 5. Horus Scope components (front view)



Figure 6. Horus scope components (rear, side and bottom views)

Basic Horus Scope Operations

To power on the Horus Scope:

- Press and hold the power button at the top of the unit for two seconds. The Horus Scope will start up. Start-up takes about 20 seconds.



Once the start-up procedure is complete the Horus Scope screen will display the live video feed captured by the lens currently attached to the unit.

To switch between live video and image capture:

1. Press the **OK** button on the unit to capture images.



2. Press the /  button to return to live view.

Changing Horus Scope Lens Attachments

To remove optical lens attachment from the Horus Scope:

1. Hold the camera in one hand and rotate optical lens counter-clockwise with the other hand until the lens detaches.
2. Gently pull to detach lens.


To add optical lens attachment to the Horus Scope:

1. Hold the camera in one hand and the lens in the other hand
2. Align the ● marks on the optical lens and the camera body
3. Push the lens and the camera together
4. Rotate optical lens clockwise until secure

For more details regarding the Horus Scope features, menu options, operation and care instructions please consult the *JEDMED Horus Scope User's Manual*.

For additional information regarding the Horus Scope operation with the CLINiC, please refer to the CLINiC User Guide.

Troubleshooting Tips

 <p>Connected Peripheral Device button on the CLINiC control panel</p>	<ul style="list-style-type: none">• Press the Connected Peripheral Device button (pictured to the left) to display the Horus Scope video on the CLINiC. Note: The Connected Peripheral Device button becomes active and can be used after the Horus Scope is powered-up, connected to and detected by the CLINiC.• If you see a JEDMED logo instead of the expected image, ensure that the lens is properly attached to the Horus Scope handle. Consult the User Guide included with the Horus Scope for detailed installation and operation instructions of the Horus Scope device.
--	--



2303 Dulles Station Boulevard, Suite 400
Herndon, VA 20171

Toll: 800.338.8866

Tel: 703.279.3000

www.ironbowhealthcare.com