

IronMed CLINiC

(W1024, W1024T, W1027)

A purpose-built telehealth
consultation device



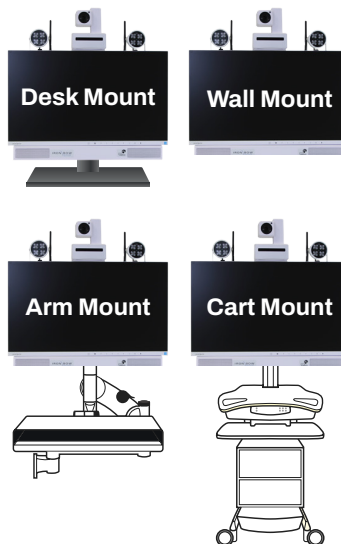
The Clinical Care Device (CLINiC™) W1024, W1024T and W1027 are all-on-one, purpose-built, virtual care devices that can be integrated with a full-featured, rugged, computing workstation to enable virtual consults. The device features a patented, intuitive, one-touch interface that abstracts technology for the patient-side nurse and lends itself to a frictionless experience. The device can be integrated with clinical peripherals like a digital stethoscope, general exam camera, otoscope, dermatoscope, ophthalmoscope and others.

Features & Benefits

Flexible Mounting Options

Perfect for deployments where space is at a premium. The flexible design allows you to select the best solution to meet your clinical use case, physical environment and budget instead of the traditional one size fits all approach.

- Integrate with a mobile cart
- Use with a fixed wall mount
- Use with an articulating arm
- Use with a desk mount



Easy Deployment

The CLINiC leverages a VESA Mounting Interface, allowing installation and replacement within minutes in almost any environment. The simplistic design purposefully enables ease of installation and reduces both capital acquisition and operating expenses.



Intuitive Interface and Supports Optional Peripherals

The tethered remote user interface, purpose built for a medical environment and designed for ease of use. Significantly reduces training time and increases end user adoption. The remote also allows for one button switching between stethoscope, Horus Scope and PC input.

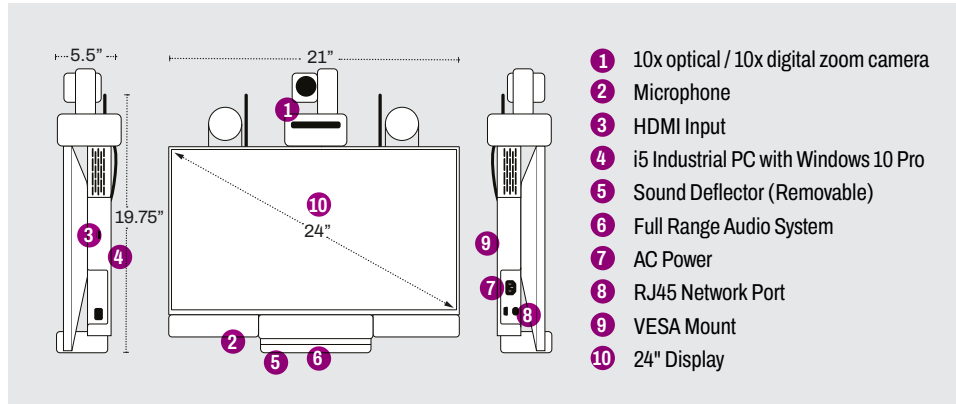


CLINiC-V-10X24IR-B02

24" monitor, 10x PTZ Camera, i5 Industrial PC with Windows 10 Pro OS. Requires VidyoRoom Executive license (not included).

Ideal Telehealth Use Cases: Stroke, Behavioral, ICU, Patient Bedside or anywhere a strong pan/tilt/ zoom camera is required. Supports peripherals such as stethoscope, Horus scope and/or PC display. IR camera and standard IR illumination supports low light and nighttime use.

Beamforming Microphone: Noise cancelling quad microphone array provides increased audio reception via beamforming directed to a singular point in room. Coupled with full duplex echo canceling, the microphone array removes ambient environmental noise enabling clear HD audio. Also available is an overbed integrated microphone array for improved patient audio reception.



Tethered remote storage (Back of the device)

IronCare Managed Telehealth Services – Warranty, Monitoring And Maintenance

IronCare™ Managed Telehealth services for IronMed devices are designed to ensure maximum service availability and user satisfaction while minimizing IT support efforts. Specific services include:

Advance Replacement Warranty (ARW) – extended warranty featuring 2nd day replacement, initiated prior to return of the customer unit.

IronCare Monitoring – continuous monitoring of network and unit behavior to address potential issues before they affect the user experience.

IronCare Maintenance – ensures updates and patches are deployed to avoid security concerns and ensure optimal user experience.

IronCare Deployment – on-site installation/replacement services to relieve IT staff and rapidly and reliably deploy units.

IronCare Cloud Video – a secure, high quality platform for rapidly enabling video consultations between Iron Bow endpoints, video conference rooms, patients and any other standards-based video endpoint.

Questions? Let's Talk!
Scan the QR code to connect.



2121 Cooperative Way, Suite 500, Herndon, VA 20171
703.279.3000 800.338.8866
healthcare@ironbow.com | ironbowhealthcare.com